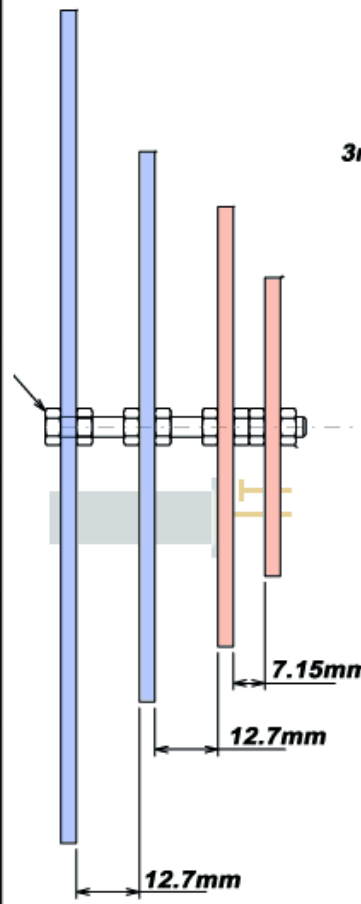


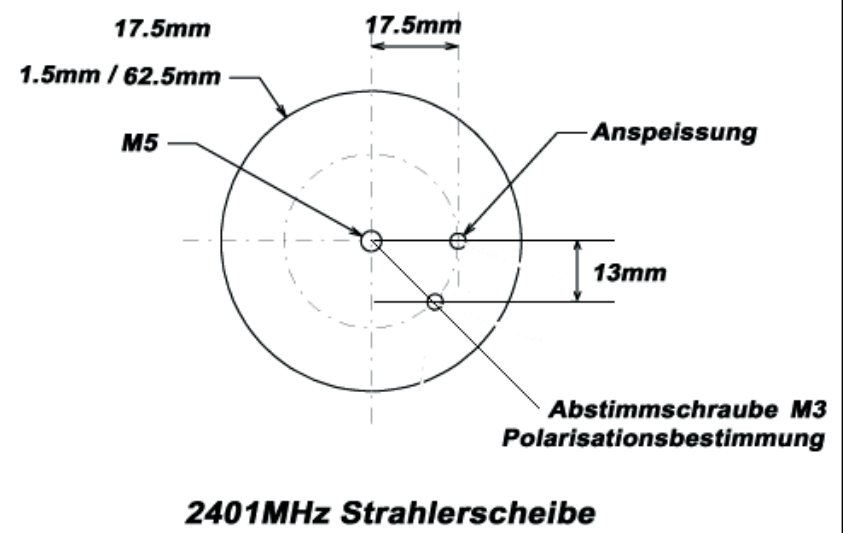
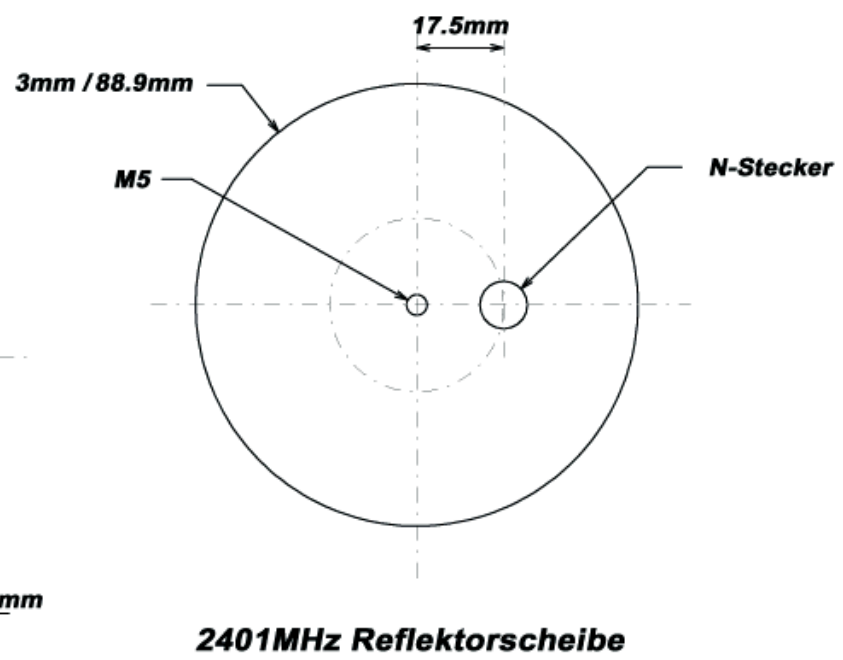
1 2 3 4 5 6 7 8 9 10 11 12 13 14 15 16

A
B
C
D
E
F
G
H
I
J



Seitenansicht des Dualfeeds

PLOT DATE
17.9.04



TOLERANCES EXCEPT AS NOTED			
MACHINED DIMENSIONS IN INCHES			
FRACTIONS	DECIMAL	ANGLES	FINISH
± 1/64	± 0.0025	± 1/2°	63
BREAK ALL CORNERS			
R0.5 / R10			
WELDMENT DIMENSIONS			
UNDER 68 INCHES: 1/16	OVER 68 INCHES: 1/32		
DO NOT SCALE DRAWING			

HB9HAL Christoph Joos Giacomettistrasse 54 CH-7000 Chur		
TITLE: Modifikation W0LMD MODE L/S PATCH MODE S PLATES		
MATERIAL:		
DRAWING NUMBER W0LMD-LS-1	JOB NUMBER	SCALE NTS

REV.	BY	DATE	DESCRIPTION
REVISIONS			
DRAWN BY:	DATE: 03-25-2003		